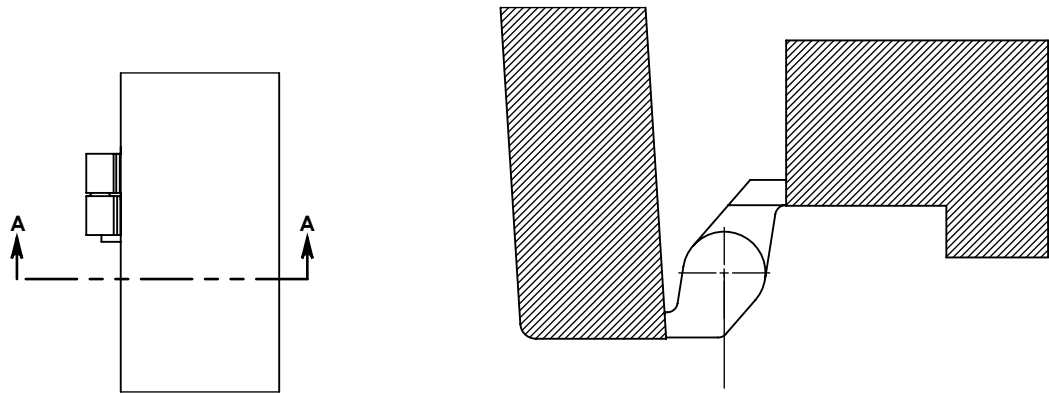
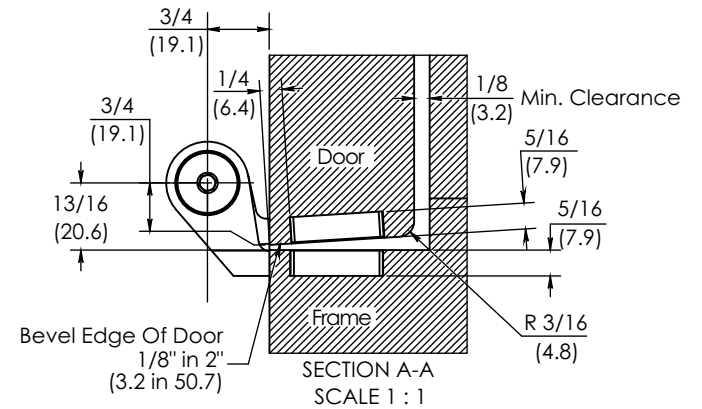
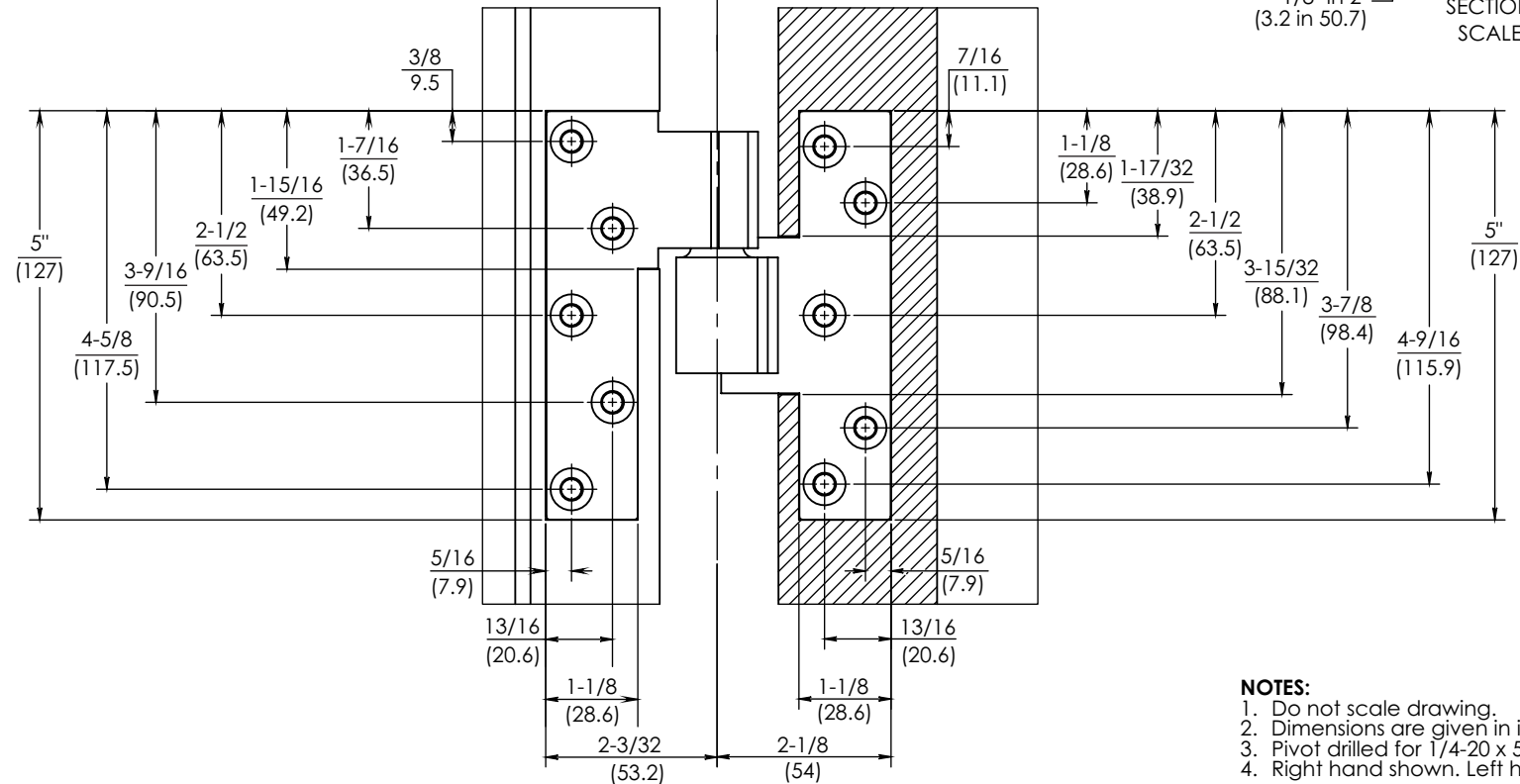


VIEW FROM BOTTOM OF DOOR LOOKING UP



DOOR LEAF

JAMB LEAF



NOTES:

1. Do not scale drawing.
2. Dimensions are given in inches (mm).
3. Pivot drilled for 1/4-20 x 5/8\"/>

**M19, FM19, M190, FM190 Intermediate Pivot
 3/4\"/>**



ASSA ABLOY

TEMPLATE NUMBER

IP50050

REV

3

DATE

02/22