

Model 270 Pivot Set

Installation Instructions

⚠️ WARNING

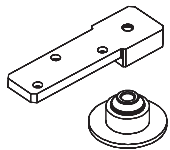
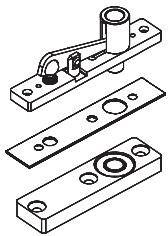
This product can expose you to lead which is known to the state of California to cause cancer and birth defects or other reproductive harm.

For more information go to: www.P65warnings.ca.gov.

IMPORTANT:

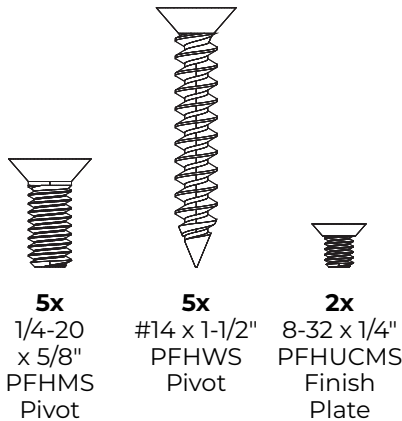
- To avoid personal injury, DO NOT DISASSEMBLE PIVOT.
- Pivots must be securely fastened to a prepared door and frame with fasteners provided.
- An improperly installed or incorrectly adjusted pivot may cause property damage or personal injury and will void product warranty.
- READ AND FOLLOW ALL INSTRUCTIONS. SAVE THESE INSTRUCTIONS.

270 Pivot Set Components



Pivot Set
270-(finish)

Top Pivot Screw Pack (70242-finish)

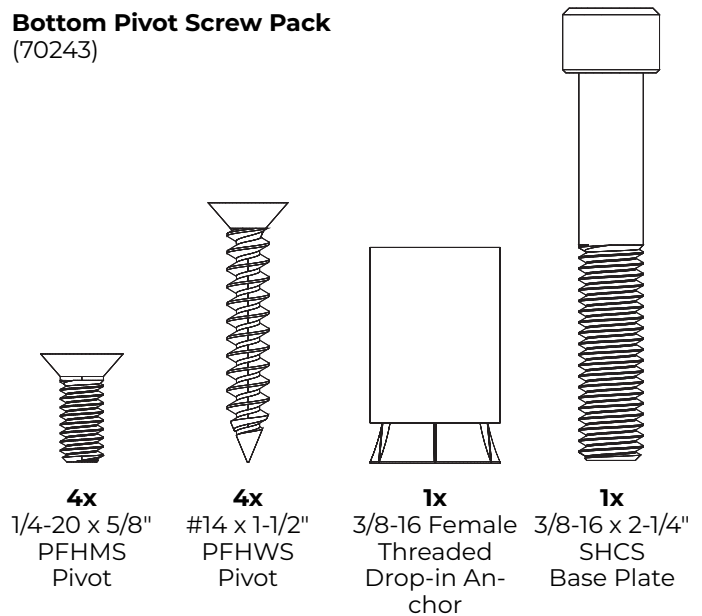


5x
1/4-20
x 5/8"
PFHMS
Pivot

5x
#14 x 1-1/2"
PFHWS
Pivot

2x
8-32 x 1/4"
PFHUCMS
Finish
Plate

Bottom Pivot Screw Pack (70243)



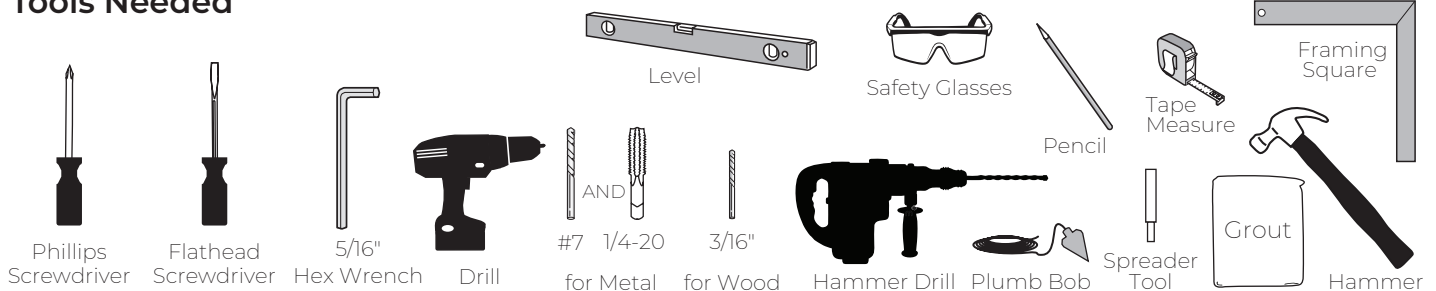
4x
1/4-20 x 5/8"
PFHMS
Pivot


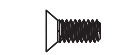
4x
#14 x 1-1/2"
PFHWS
Pivot

1x
3/8-16 Female
Threaded
Drop-in An-
chor

1x
3/8-16 x 2-1/4"
SHCS
Base Plate

Tools Needed



Mounting Hardware	Door / Frame	Drill
	Aluminum or Wood	3/16" (4.76mm)
	Hollow Metal	Drill #7 (.201 dia. or 5.10mm) Tap 1/4-20

Before You Begin:

- Top pivot must be plumb with bottom pivot and door must swing freely.
- Door and frame must be reinforced for attaching screws.
- All dimensions are given in inches (millimeters).

Installation

A. Prepare frame and door.

1. Using supplied template on page 5 and Mounting Hardware chart on page 1, prepare and mortise door and head jamb for pivot set. (Figure 1)

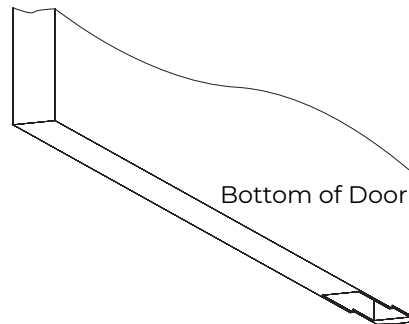
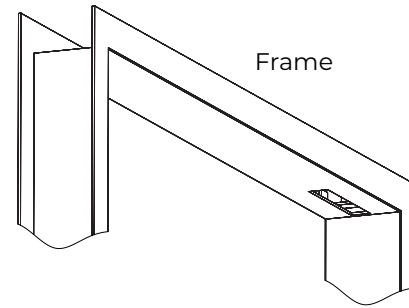
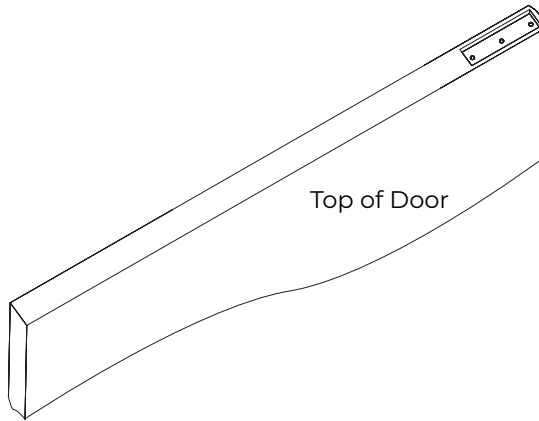


Figure 1

B. Install top pivot set.

1. Install jamb portion in prepared frame with two (2) 1/4-20 x 5/8" machine screws. (Figure 1)
2. Install door portion in prepared door with three (3) 1/4-20 x 5/8" machine screws or #14 x 1-1/2" wood screws. (Figure 1)
3. Attach finish plate to jamb portion with two (2) 8-32 x 1/4" machine screws. (Figure 1)

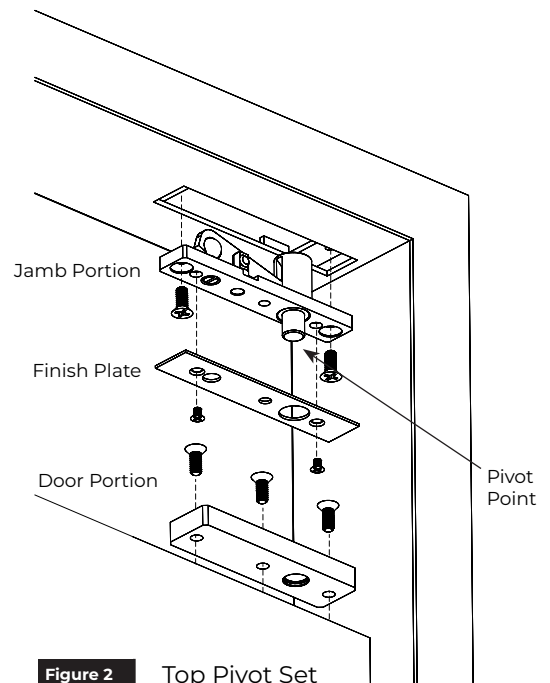
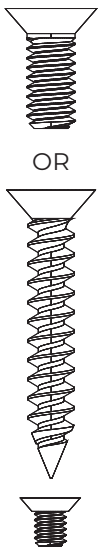


Figure 2 Top Pivot Set

Installation (cont.)

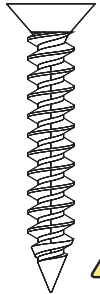
C. Install bottom pivot set.



IMPORTANT: Pivot point of bottom pivot must be plumb with top pivot point. Be sure to properly locate and mark pivot center point of bottom base plate. (Figure 3)



OR



1. Install door portion into prepared door with four (4) 1/4-20 x 5/8" machine screws or #14 x 1-1/2" wood screws. (Figure 4)

NOTE: Depth of mortise in door bottom will determine clearance.

2. Using a plumb bob attached to top pivot, locate and mark position of base plate on floor.
3. Drill 3/4" dia. x 1-3/4" (19 x 44mm) deep hole in floor on center of pivot point for base plate mounting.



IMPORTANT: It is critical to door alignment and proper frame clearance that this anchor hole is positioned within 1/32" of true plumb alignment with the top jamb portion pivot point.

4. With open side up, place drop-in anchor into floor hole. If necessary, tap lightly with hammer until anchor is at bottom of hole.

NOTE: Clean all concrete dust from hole before installing drop-in anchor.

5. Set anchor by striking spreader tool with hammer until the sleeve of the anchor is fully expanded. (Figure 5)

6. Insert provided base plate screw into anchor to plug opening.

NOTE: Apply grease to base plate screw to prevent grout from sticking to screw and to facilitate removal.

7. Grout anchor into place. After grout has set, remove base plate screw.
8. Place base plate over anchor and securely fasten to floor with base plate screw using 5/16" hex wrench.
9. If using a threshold, install it at this time.

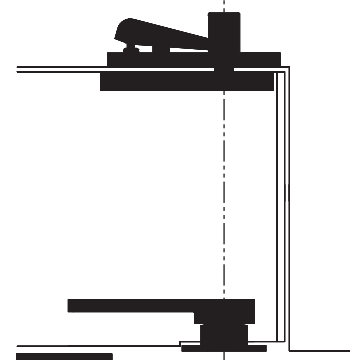
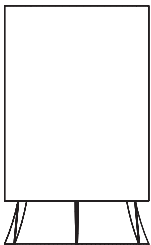
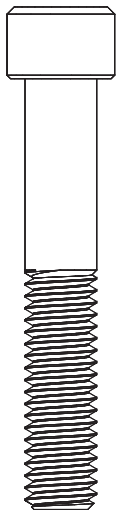


Figure 3

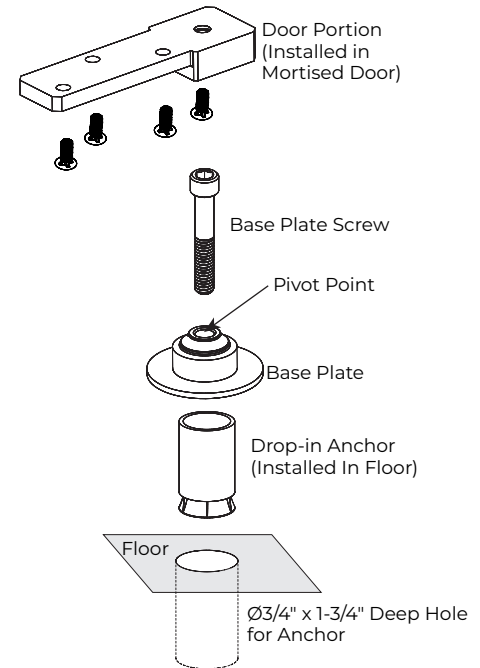


Figure 4 Bottom Pivot

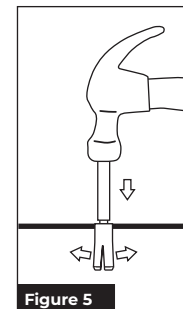


Figure 5

Installation (cont.)

D. Hang door.

! Caution: Know weight of door before attempting to install. Determine proper equipment needed to prevent door from falling. (Figure 6)

1. Ensure pivot stud is fully retracted into pivot by turning pivot adjustment screw counter clockwise with a flathead screwdriver. (Figure 7)
2. With door in open position about 90° to jamb, carefully fit door onto bottom pivot at a slight angle. (Figure 8)
3. Tip door into vertical position aligning frame portion pivot stud to door portion hole. (Figure 9)
4. With top pivot stud aligned with door portion hole, use a flathead screwdriver to turn pivot adjustment screw clockwise to extend pivot stud into door pivot portion. (Figure 10)

! **IMPORTANT: Fully tighten adjustment screw to ensure pivot stud is fully extended into door portion. There is a door tipping hazard until door is held vertical by pivot stud.**

5. Verify frame is square by using a framing square. Gaps between door and frame should be consistent. Gap should be 1/8" (3mm) at jamb and header. (Figure 11)

NOTE: Door should swing freely.

- If vertical height adjustment is necessary, use shims between door bottom and bottom pivot portion to increase clearance.
- To decrease clearance, increase mortise depth in bottom of door.
- To remove door, retract pivot stud and tip door out of vertical position, then lift door from bottom pivot.

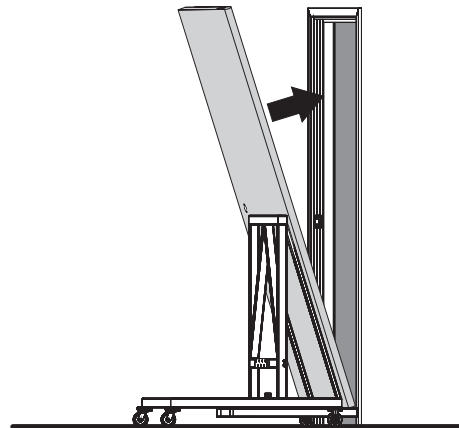


Figure 6

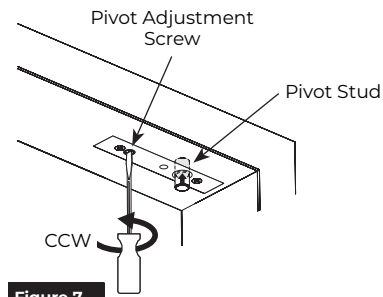


Figure 7

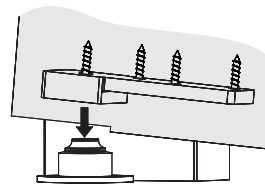


Figure 8

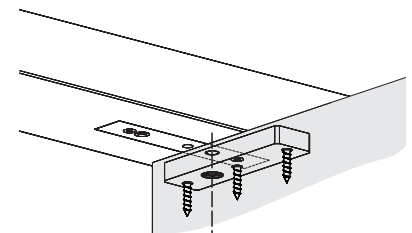


Figure 9

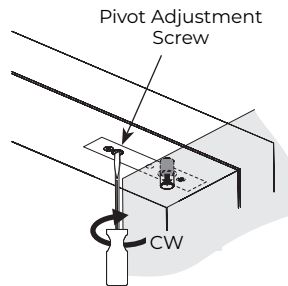


Figure 10

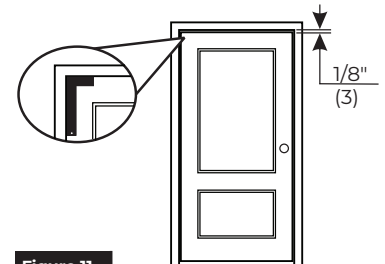
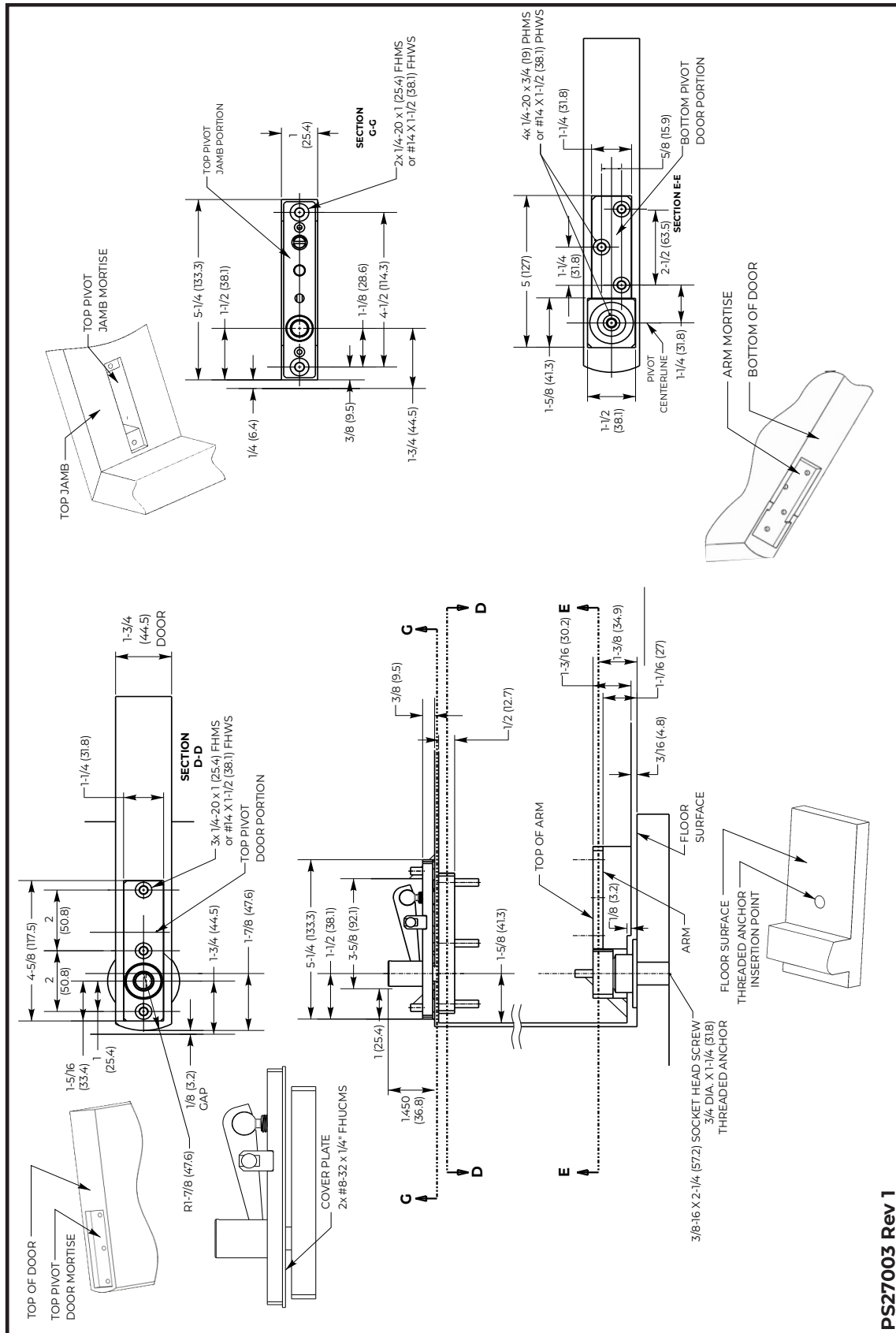


Figure 11

Model 270 Center Pivot Set Template



PS27003 Rev 1

The ASSA ABLOY Group is the global leader in access solutions. Every day we help people feel safe, secure and experience a more open world.



ASSA ABLOY

Technical Product Support:
Monroe, NC 28112 USA
Phone: 877.974.2255 ext: 2
Techsupport.NortonRixson@assaabloy.com
NortonRixson.com

Norton Rixson is a brand associated with ASSA ABLOY Accessories and Door Controls Group, Inc., an ASSA ABLOY Group company. Copyright © 2022, 2023, ASSA ABLOY Accessories and Door Controls Group, Inc. All rights reserved. Reproduction in whole or in part without the express written permission of ASSA ABLOY Accessories and Door Controls Group, Inc. is prohibited.

Approved 2023-04-05

IS-270 Rev 2 03/23