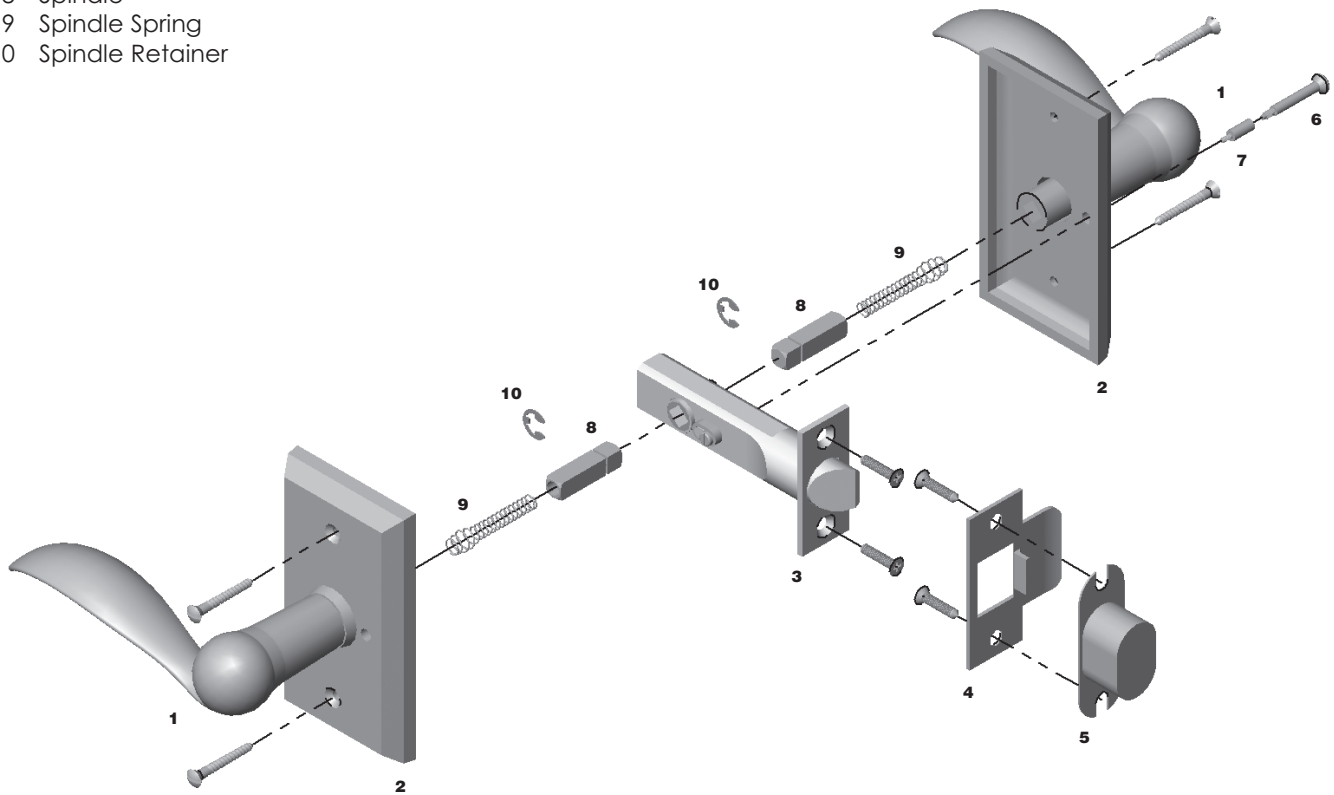


ROCKY MOUNTAIN

H A R D W A R E

Privacy Spring Latch - Lever to Lever

- 1 Lever
- 2 Escutcheon
- 3 Privacy Spring Latch
- 4 T-Strike
- 5 T-Strike Dust Box
- 6 Privacy Button
- 7 Privacy Button Extension
- 8 Spindle
- 9 Spindle Spring
- 10 Spindle Retainer



ROCKY MOUNTAIN

H A R D W A R E

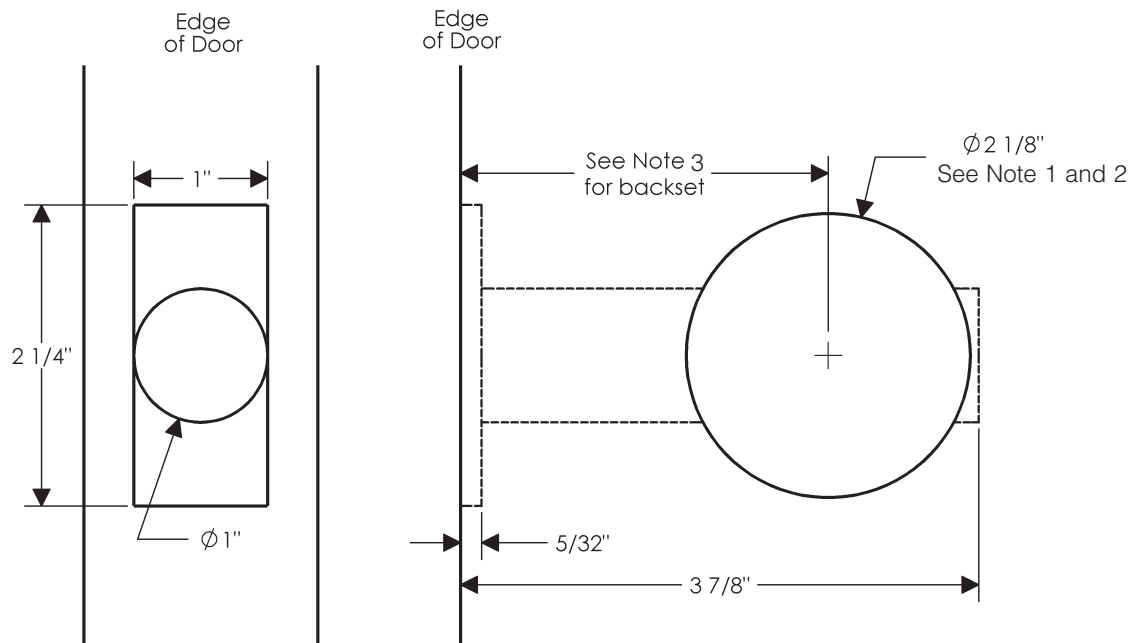
DOOR PREPARATORY SPECIFICATIONS

Privacy Spring Latch - Interior & Exterior

Not Applicable to Edge, Element, or Bluetooth Options

Notes:

1. This face bore does not work for E101, E103, E201, E202, E204, E205, E206, E210, E415, E416, E417, E418, E589, E820, E828, E10520, E10820, E10871, E30303, E30802, E30803 and E10203. See page MPS 7 for correct face bore.
2. This face bore does not work for E10010 or E10015. These escutcheons require a 1 5/8" face bore offset 1/8" down from center of spring latch.
3. This bore specification is applicable for 2 3/8" or 2 3/4" backset privacy spring latches.



ROCKY MOUNTAIN

H A R D W A R E

DOOR PREPARATORY SPECIFICATIONS

Strike - T-Strike

Notes:

1. This dimension is 1/2 of door thickness, eg., 1 3/4" divided by 2 = 7/8". This dimension will have to be adjusted for different door thicknesses and unusual jamb or door conditions.

