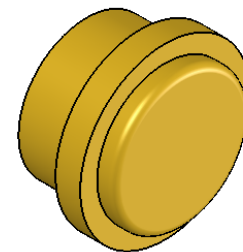
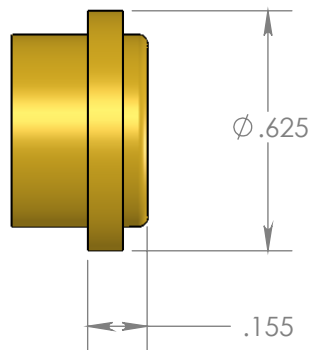


SEPARATED



ASSEMBLED

Notes:

1. ALL DIMENSIONS FROM EDGE, THEORETICAL SHARP CORNER, CONSTRUCTION GEOMETRY, OR HOLE CENTER
2. SPECIFY FINISH WHEN PLACING ORDER

PROPRIETARY AND CONFIDENTIAL
 THE INFORMATION CONTAINED IN THIS DRAWING IS THE SOLE PROPERTY OF MERIT METAL PRODUCTS INC. ANY REPRODUCTION IN PART OR AS A WHOLE WITHOUT THE WRITTEN PERMISSION OF MERIT METAL PRODUCTS INC. IS PROHIBITED.



Merit Metal Products Inc.
 242 Valley Road
 Warrington, PA 18976
 P 215-343-2500 F 215-343-4839

UNLESS OTHERWISE SPECIFIED:

DIMENSIONS ARE IN INCHES

MATERIAL: **BRASS**

FINISH

DO NOT SCALE DRAWING

NAME

DATE

DRAWN

WCB

10/15/09

MGT APPR.

COMMENTS:

TITLE:

EMERGENCY PLUG

SIZE

A

PART. NO.

62013

REV

SCALE: 2:1

WEIGHT:

SHEET 1 OF 1