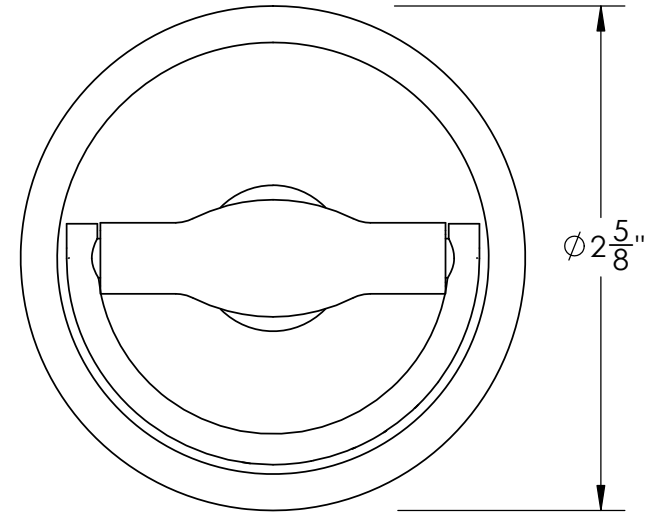
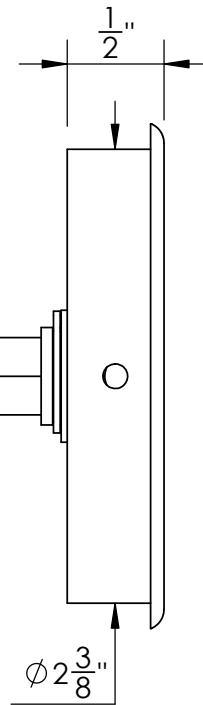




(5) 10-24 Threaded Set Screw Holes

7.2mm Spindle
3/8-20 Thread



Merit Metal Products Inc.
242 Valley Road
Warrington, PA 18976
P 215-343-2500 F 215-343-4839

The information contained in this drawing is the sole intellectual property of Merit Metal Products. Any reproduction in part or as a whole without the written permission of Merit Metal Products is prohibited.

Unless Otherwise Specified:

Dimensions are in inches

All dimensions are from edge, theoretical sharp corner, or hole center.

	NAME	DATE
Drawn:	JHR	1/20/15

Comments:

2.25" maximum door thickness

TITLE:

2-1/2" Flush Drop Handle

PART. NO.

11725-2.5