

INSIDE

DOOR  
EDGE

OUTSIDE



**ATTENTION:**  
IF SINGLE DUMMY ONLY PREPARE ONE SIDE.

**DOOR TEMPLATE**  
**SERIES SML - STANDARD**  
**TRIM SET - RA, RD, RM, RS**  
2 3/4" BACKSET

**FUNCTION:**  
C - PASSAGE  
Y - DOUBLE DUMMY  
Z - SINGLE DUMMY

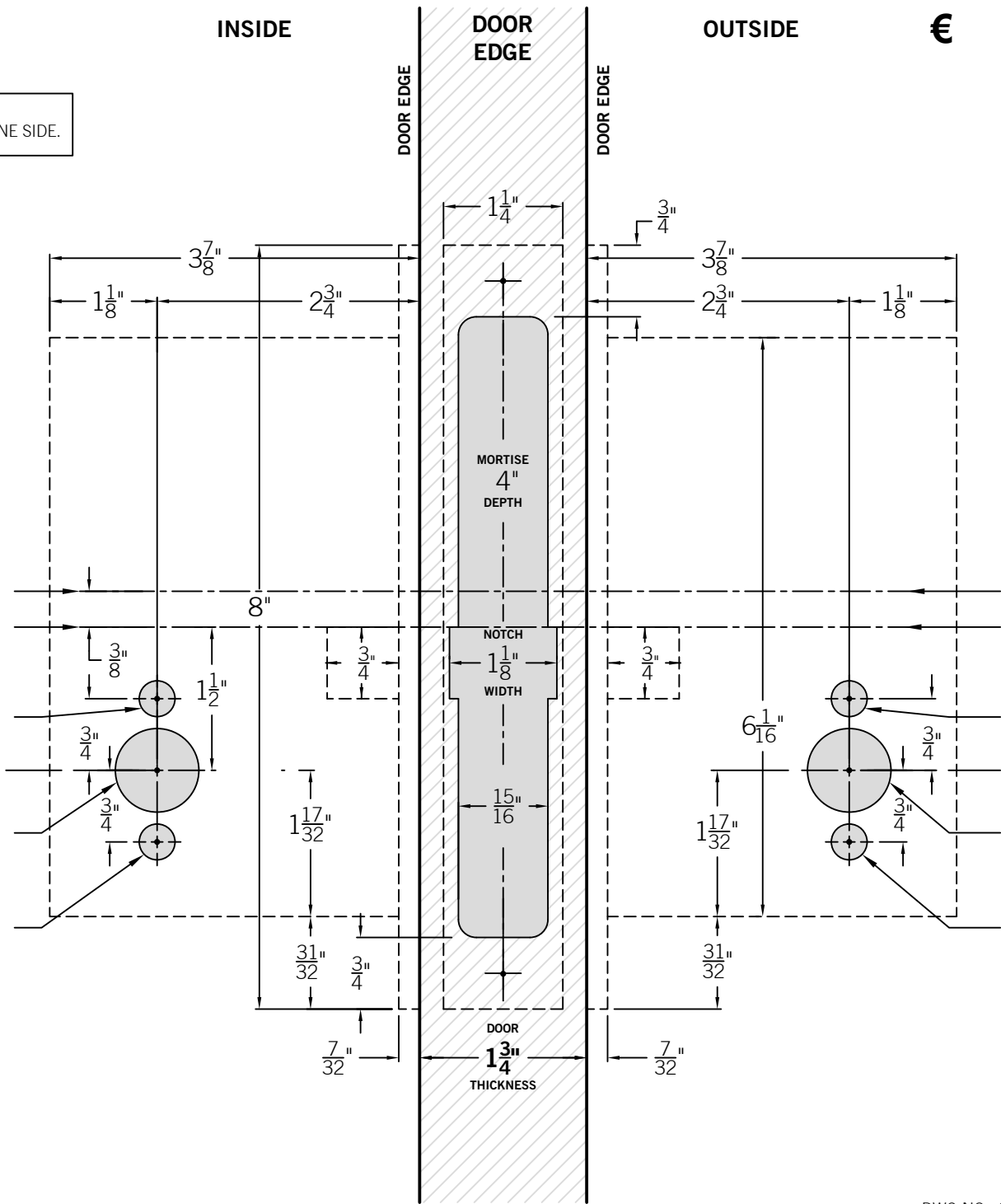
☞ OF ANSI STRIKE  
☞ OF LOCK  
THROUGH BOLT HOLE  
3/8" DIAMETER  
☞ OF LEVER / KNOB  
LEVER / KNOB HOLE  
7/8" DIAMETER  
DRILL ONLY IF LEVER / KNOB  
IS ON THIS SIDE  
THROUGH BOLT HOLE  
3/8" DIAMETER

☞ OF ANSI STRIKE  
☞ OF LOCK  
THROUGH BOLT HOLE  
3/8" DIAMETER  
☞ OF LEVER / KNOB  
LEVER / KNOB HOLE  
7/8" DIAMETER  
DRILL ONLY IF LEVER / KNOB  
IS ON THIS SIDE  
THROUGH BOLT HOLE  
3/8" DIAMETER

**RESPONSIBILITY:**  
DOOR AND FRAME FABRICATORS  
ARE RESPONSIBLE FOR PROVIDING  
ADEQUATE CONSTRUCTION OR  
REINFORCEMENTS FOR PROPER  
INSTALLATION OF HARDWARE

**NOTE:**  
BACKSET MEASURED FROM  
CENTER OF DOOR EDGE

FSB  
North America  
Tel 203 404 4700  
Fax 203 404 4710  
www.fsbna.com  
info@fsbna.com

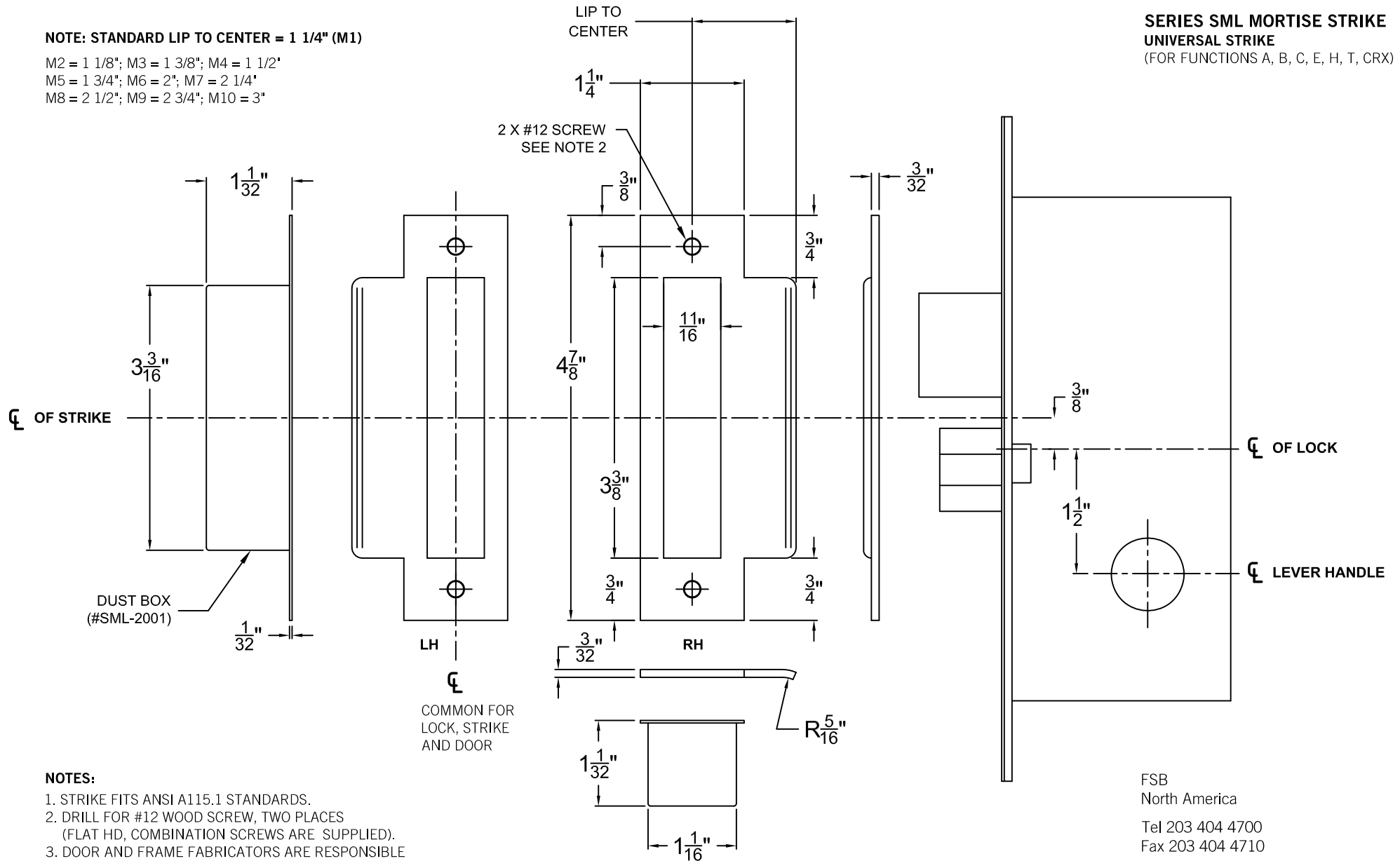


**STRIKE/DUST BOX DETAIL  
FOR WOOD DOORS/FRAMES**

**SERIES SML MORTISE STRIKE  
UNIVERSAL STRIKE  
(FOR FUNCTIONS A, B, C, E, H, T, CRX)**

**NOTE: STANDARD LIP TO CENTER = 1 1/4" (M1)**

M2 = 1 1/8"; M3 = 1 3/8"; M4 = 1 1/2"  
M5 = 1 3/4"; M6 = 2"; M7 = 2 1/4"  
M8 = 2 1/2"; M9 = 2 3/4"; M10 = 3"



**NOTES:**

1. STRIKE FITS ANSI A115.1 STANDARDS.
2. DRILL FOR #12 WOOD SCREW, TWO PLACES (FLAT HD, COMBINATION SCREWS ARE SUPPLIED).
3. DOOR AND FRAME FABRICATORS ARE RESPONSIBLE FOR PROVIDING ADEQUATE CONSTRUCTION OR REINFORCEMENT FOR PROPER INSTALLATION OF HARDWARE.

FSB  
North America  
Tel 203 404 4700  
Fax 203 404 4710  
[www.fsbna.com](http://www.fsbna.com)  
[info@fsbna.com](mailto:info@fsbna.com)